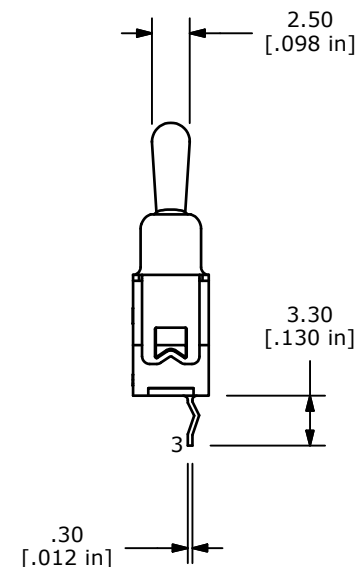
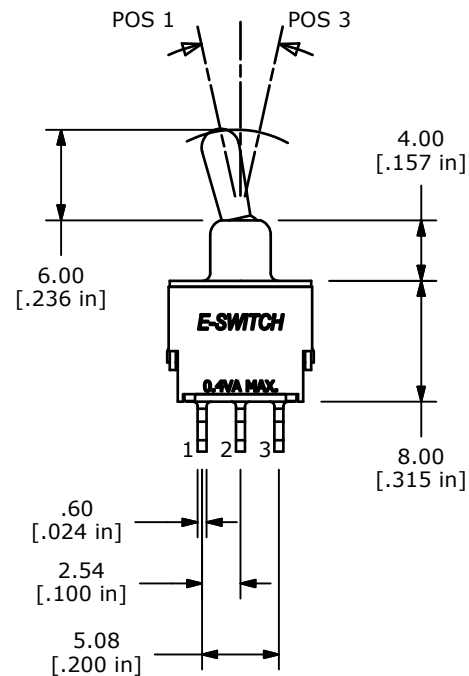


| ▲ SWITCH FUNCTION |        |        |
|-------------------|--------|--------|
| POS. 1            | POS. 2 | POS. 3 |
|                   |        |        |
| ON                | NONE   | (ON)   |
| 2-3               | NONE   | 2-1    |

(ON) = MOMENTARY FUNCTION

**NOTE:**

1. ALL DIMENSIONS IN MM [INCH]
2. GENERAL TOLERANCE: X.X=±0.4  
X.XX=±0.25
3. TERMINAL NUMBERS FOR REF ONLY
4. CONTACTS: COPPER ALLOY W/ GOLD PLATING
5. RATING: 0.4 VA max. @ 48V AC OR DC max.
6. CONTACT RESISTANCE: <50 MILLI-OHM
7. MECHANICAL LIFE: 40,000 CYCLES.
8. INSULATION RESISTANCE: 1000 MEGA-OHM min.
9. DIELECTRIC STRENGTH: 500 V RMS @SEA LEVEL.
10. OPERATING TEMP.: -30°C to 85°C
11. ▲ DENOTES CRITICAL PARAMETER.
12. SEAL RATING: IP67
13. 2002/95/EC (ROHS) COMPLIANT



TITLE 200RSP2T1B1M2R

|     |        |             |         |    |
|-----|--------|-------------|---------|----|
| A   | 22045  | New Release | 11/6/15 | rc |
| REV | PCR NO | DESCRIPTION | DATE    | BY |

THE INFORMATION CONTAINED IN THIS DOCUMENT IS PROPRIETARY TO E-SWITCH AND IS NOT TO BE COPIED OR TRANSFERRED

|       |            |    |         |     |
|-------|------------|----|---------|-----|
| SCALE | DATE       | DR | DWG     | REV |
| 2:1   | 10/21/2015 | rc | T240001 | A   |